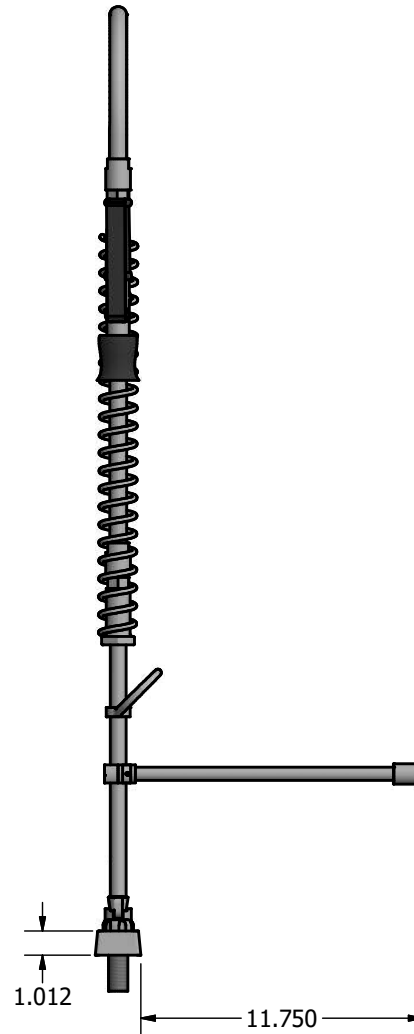
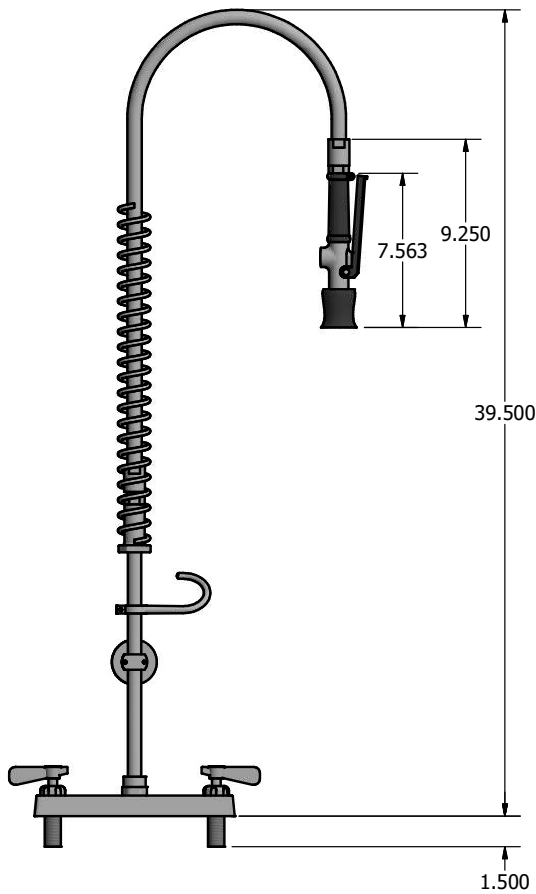




Use your smart phone to scan the above QR code to visit our website: www.bk-resources.com

8" Deck Mount Pre-Rinse

Model: EVO-8DMPR, Lead Free



Product Specifications:

- Dual Pattern Spray Head
- Stainless Steel Waterways
- 12" Wall Bracket
- 1/4 Turn Ceramic Cartridges
- Integral Check Valves
- Color Coded Hot & Cold Indicators
- 1/2" Female Inlets
- Lifetime Warranty on Faucet and Spray head
- 1 year Warranty on Hose

Options:



EVO-AF Add A Faucet
EVO-AF8, EVO-AF10,
EVO-AF12, EVO-AF14

Certifications:



Certified to NSF/ANSI 61 Section 9-G



PRODUCT SPECIFICATION SHEET

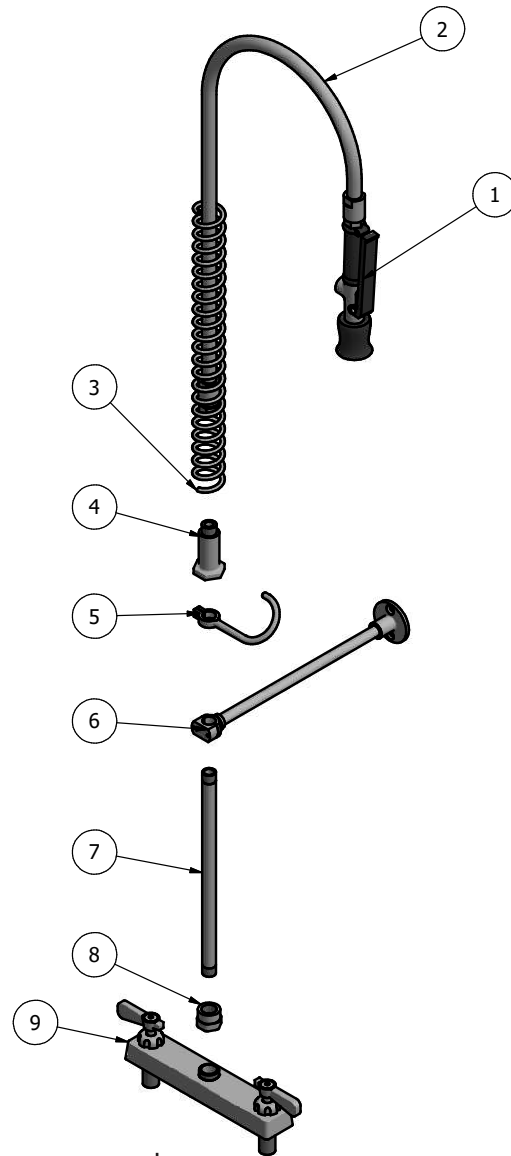
RESOURCES





8" Deck Mount Pre-Rinse

Model: EVO-8DMPR, Lead Free



Exploded Parts Detail:

Diagram #	Quantity	Part Number	Description
1	1	EVO-PRV	SS Dual Pattern Spray Valve
2	1	BKH-44-G	44" Pre-Rinse Hose
3	1	BK-PR-SPRING	Pre-Rinse Hose Spring
4	1	EVO-PR-SPR	SS Pre-Rinse Retainer
5	1	BK-PR-SHR	Spray Valve Handle Retainer
6	1	BK-PR-WB	Wall Bracket
7	1	BK-PR-24RP-G	24" Riser Pipe
8	1	BK-PR-ADP	Pre-Rinse Adapter
9	1	SSBK8DMXXG	SS 8" O/C Deck Mount Faucet Body

Options:



EVO-AF Add A Faucet
EVO-AF8, EVO-AF10,
EVO-AF12, EVO-AF14

PRODUCT SPECIFICATION SHEET

RESOURCES

