



# Three Compartment - Double Drainboard

## Stainless Steel Compartment Sinks



Use your smart phone to scan the above QR code to visit our website:  
[www.bk-resources.com](http://www.bk-resources.com)

### Certifications:



### Features:

- 1/4" Pitched Drainboards To Ensure Proper Drainage
- 1 1/2" Rounded Front and Side Edges
- Accommodates two 8" On Center Faucets
- Drains Included
- 10" Backsplash
- S/S Basket Drain

### Material:

- T-304 16 ga. Stainless Steel Deck & Bowls
- Stainless Steel Legs
- Stainless Steel End Bracing
- Adjustable Stainless Steel over Plastic Bullet Feet

### Options:

- Pre-Rinse Units & Faucets
- Lever Drains
- Slant Rack Shelf (BK-SSH)
- End Splash (BKS-RES)

PRODUCT DATA SHEET

Part Number	Unit Size (l x w)	Bowl Dim. (l x w x d)	Sets of Faucet Holes	Drainboard Size	Legs	Product Weight (lbs)
BKS6-3-24-14-24TS	123 1/4" x 29 1/2"	24" x 24" x 14"	2	(2) - 24"	Stainless Steel w/ End Bracing	147.00

BK RESOURCES



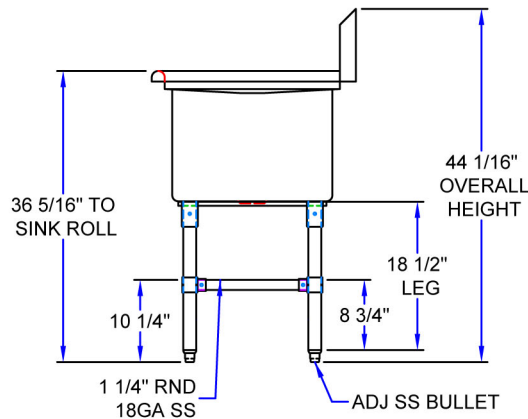
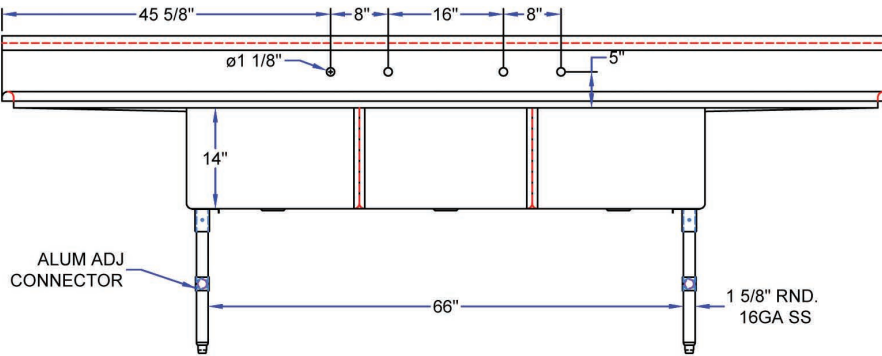
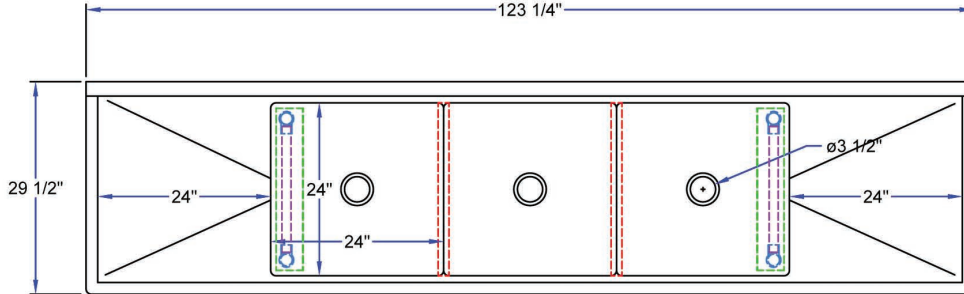


# Three Compartment - Double Drainboard

## Stainless Steel Compartment Sinks



Use your smart phone to scan the above QR code to visit our website:  
[www.bk-resources.com](http://www.bk-resources.com)



PRODUCT DATA SHEET

BK RESOURCES

