



RESOURCES



Sealed Well Electric Steam Table

**Stainless Steel
Sealed Well
Steam Table**



Features:

- Sealed well design
- Cutting board shelf
- Undershelf to store food pans, lids and utensils when not in use
- Infinite temperate control
- 750W per well

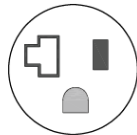
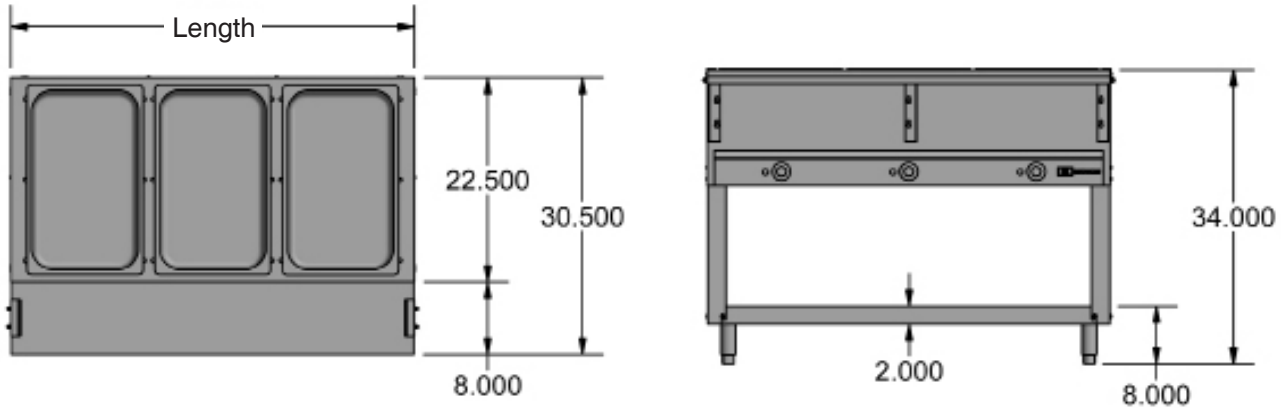
Warranty:

- 1 Year Parts Only

Material:

- 20 Ga. Stainless Steel

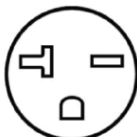
Model	Unit Size (L x W x H)	Number of Wells	Total Watts	Plug	Product Weight (lbs)
STESW-2-120	30 ^{3/8} " x 30 ^{1/2} " x 34"	2	1500	NEMA 5-20	85.00
STESW-3-240	44 ^{3/8} " x 30 ^{1/2} " x 34"	3	2250	NEMA 6-20	106.00
STESW-4-240	58 ^{3/8} " x 30 ^{1/2} " x 34"	4	3000	NEMA 6-20	135.00
STESW-5-240	72 ^{3/8} " x 30 ^{1/2} " x 34"	5	3750	NEMA 6-20	



NEMA 5-20 : - STESW-2-120



NEMA 6-20 - STESW-3-240



NEMA 6-20 - STESW-4-240 & STESW-5-240

PRODUCT DATA SHEET

RESOURCES

