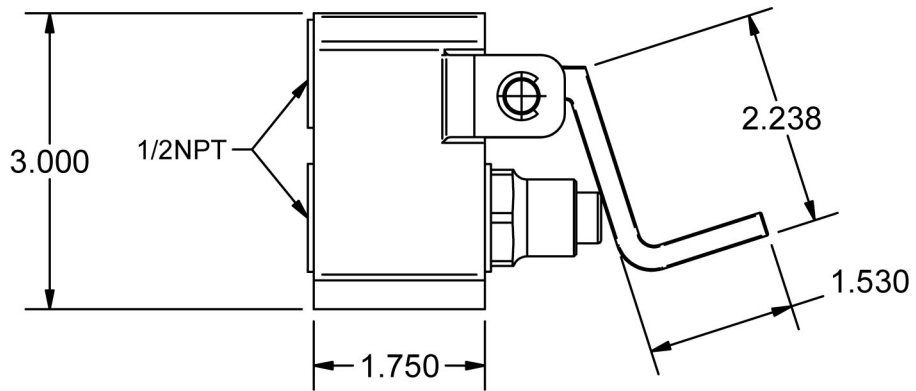
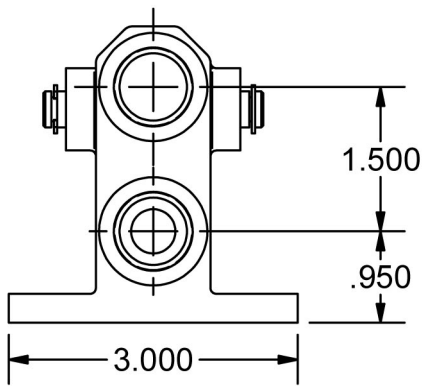
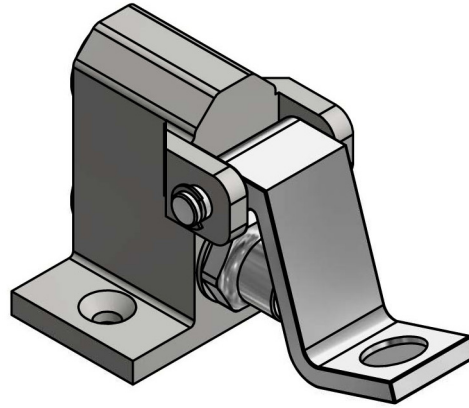




Use your smart phone to scan the above QR code to visit our website: www.bk-resources.com

Single Pedal Metering Foot Valve

Model: BKSMFV-G, Lead Free



Product Specifications:

- Cast Body
- Adjustable Metered Valve
- Default cycle time set at the CDC recommendation of 20 seconds for handwashing
- Chrome Plated Pedals

Certifications:



PRODUCT SPECIFICATION SHEET

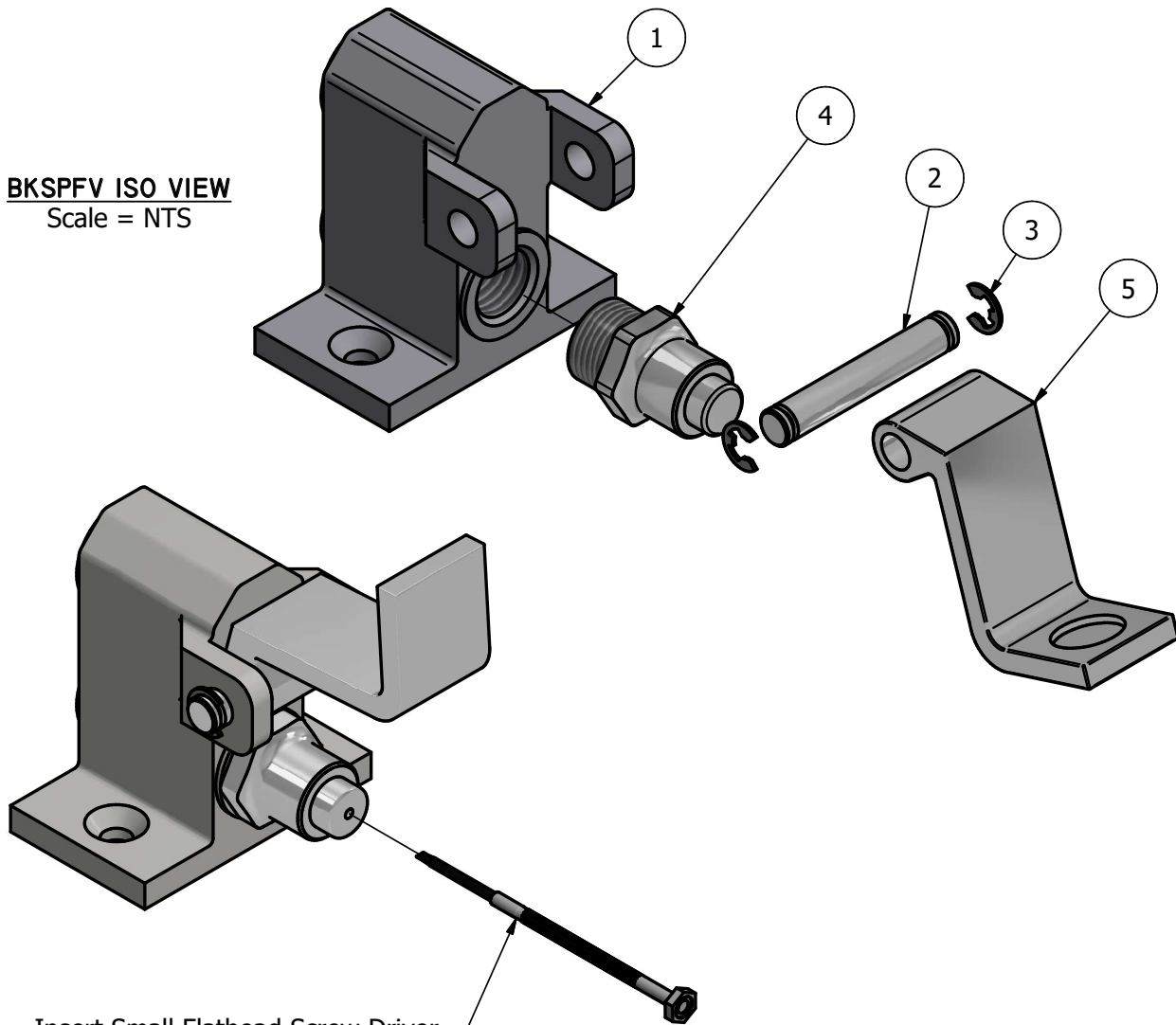
RESOURCES



Single Pedal Metering Foot Valve

Model: BKSMFV-G, Lead Free

BKSPFV ISO VIEW
Scale = NTS



Insert Small Flathead Screw Driver
to Adjust Run Time.
Turn Left for Shorter Run Time.
Turn Right for Longer Run Time.



Exploded Parts Detail:

Diagram #	Quantity	Part Number	Description
1	1	BKSPFV-G	Valve Body
2	1	BKSPFV-PIN	Pin
3	2	BKSPFV-ECLIP	E-Clip
4	1	MF-MV	Metering Valve
5	1	BKFV-HP	Lever