



Project \_\_\_\_\_  
 Item # \_\_\_\_\_  
 Quantity \_\_\_\_\_

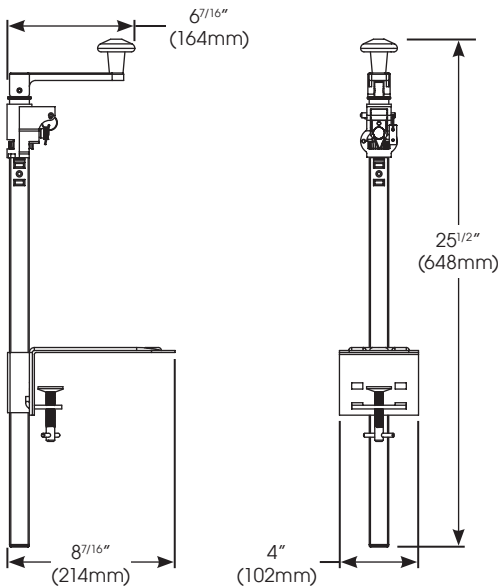
## Premium Manual Can Opener

Model: CO-3N

Our premium European-made heavy-duty nickel plated can opener is fitted with a removable clamp, making it ideal for on-the-go operations that require flexibility. The rust-resistant stainless steel blade and gear opens various can sizes up to #10.

### Standard Features

- ◆ Easily disassembles for increased sanitation
- ◆ Heavy-duty nickel-plated steel construction
- ◆ Rigid universal mounting base for permanent screw down or portable clamp down installation to wooden or stainless steel work tables
- ◆ 19" (483mm) long body pierces any size can up to 16" (407mm) tall
- ◆ Quick change dual-sided tempered knife blade and stainless steel gear
- ◆ NSF listed
- ◆ One year parts and labor warranty



### Parts & Accessories

CO-3N-GA	Gear Assembly
CO-3G	Gear
CO-3N-KP	Key Pin Assembly
CO-3N-BH	Blade Holder
CO-3N-TS	Thumb Screw and Washer
CO-3N-B	Blade
CO-3N-PB	Base Plate with Fixing Screw

MODEL	DESCRIPTION	OVERALL DIMENSIONS			BOX DIMENSIONS			SHIP WEIGHT
		LENGTH	DEPTH	HEIGHT	LENGTH	DEPTH	HEIGHT	
CO-3N	Premium Manual Can Opener	8-7/16" (214mm)	4" (102mm)	25-1/2" (648mm)	26-3/8" (670mm)	6-3/4" (171mm)	3-5/8" (91mm)	5.5 lbs (2.5 kg)

### Product Specs

#### Premium Manual Can Opener

The Premium Manual Can Opener model CO-3N as manufactured by Winco®, Lodi, NJ 07644.

The Premium Manual Can Opener shall be constructed of heavy-duty nickel plated steel with a quick change dual-sided tempered knife blade. The sturdy base can be screwed or clamped down for installation. The unit opens cans up to 16" (407mm). Units are NSF listed. One year parts and labor warranty included.

#### For California Customers

**WARNING:** Cancer and Reproductive Harm - [www.P65Warnings.ca.gov](http://www.P65Warnings.ca.gov)

Winco®, DWL International Trading, LLC

[www.wincous.com](http://www.wincous.com) | [equipsales@wincous.com](mailto:equipsales@wincous.com)

**New Jersey Headquarters:**  
 65 Industrial Road, Lodi, NJ 07644  
 Tel. 1.888.946.2682 | Fax: 1.888.946.2632

**California Distribution Center**  
 14950-14952 Valley View Avenue, La Mirada, CA 90638  
 Tel. 1.888.946.2652 | Fax: 1.562.926.5678

**Florida Distribution Center**  
 10800 NW 103rd St. Bldg 22, Ste 11, Miami, FL 33178  
 Tel. 1.786.536.4656