



360 Table Mount Pot Rack

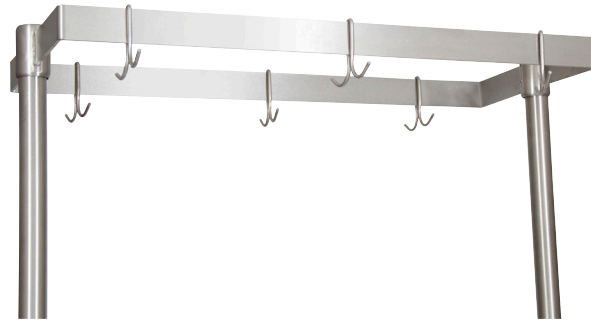
Adjustable Table Mount Pot Rack



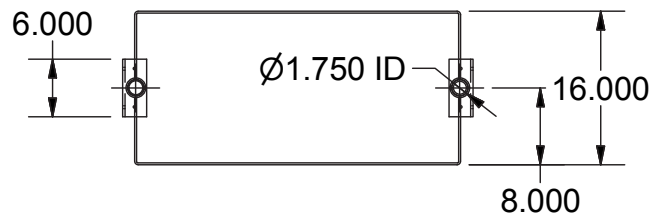
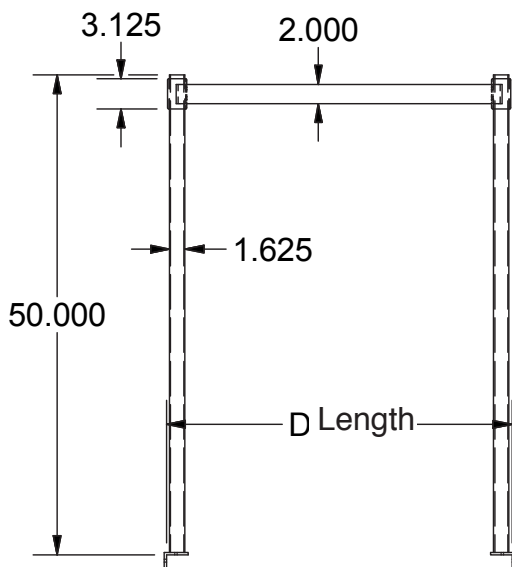
Use your smart phone to scan the above QR code to visit our website:
www.bk-resources.com

Features:

- Adjustable to any height
- 2 hooks per every 12" of pot rack
- Includes: pot rack and uprights
- Mounts directly to table with self-tapping screws (included)
- Uprights are 50" high



Part Number	Length	Product Weight (lbs)
APQ-36	36"	23.00
APQ-48	48"	26.00
APQ-60	60"	29.00
APQ-72	72"	33.00



PRODUCT DATA SHEET

BK RESOURCES

