



Drawer Pans

*Stainless Steel or Plastic
Fabricator Hardware*



Use your smart phone to scan the above QR code to visit our website:
www.bk-resources.com

Certifications:



Features:

- T-304 Stainless Steel
- Stainless Pans NSF Component Listed
- 1 Year Warranty

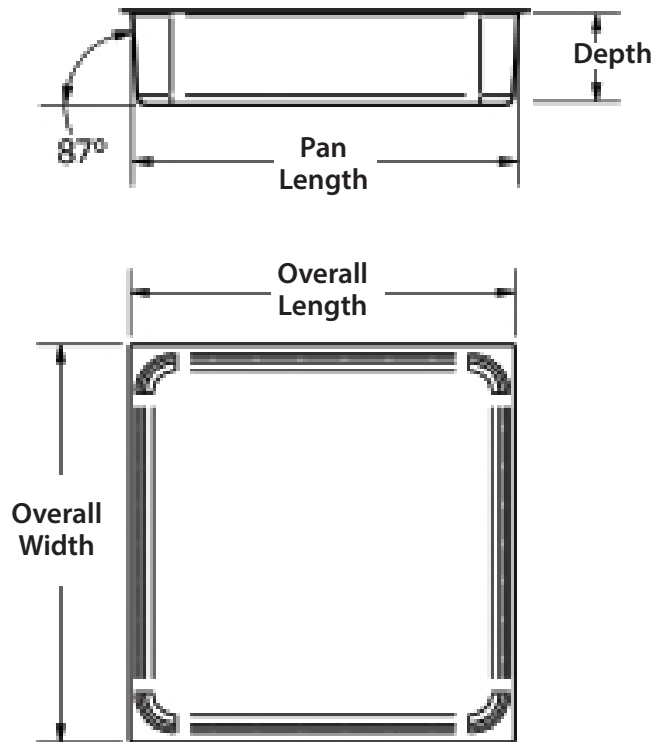


BKDWR-2020



BKDWR-2015-PL

Part Number	Overall Width	Pan Width	Overall Length	Pan Length	Depth	Pan Material	Product Weight (lbs)
BKDWR-2020	21 5/8"	20 3/16"	21"	19 15/16"	5"	Stainless	6.00
BKDWR-2015	21 5/8"	19 3/4"	16 1/8"	14 3/4"	5"	Stainless	4.50
BKDWR-2020-PL	21 5/8"	20 1/8"	21 7/16"	19 5/8"	5"	Plastic	2.50
BKDWR-2015-PL	21 3/4"	19 7/8"	16 3/8"	14 1/8"	5"	Plastic	



PRODUCT DATA SHEET

BK RESOURCES

