



# Underbar Mixing Station

## Underbar Equipment



Use your smart phone to scan the above QR code to visit our website:  
[www.bk-resources.com](http://www.bk-resources.com)



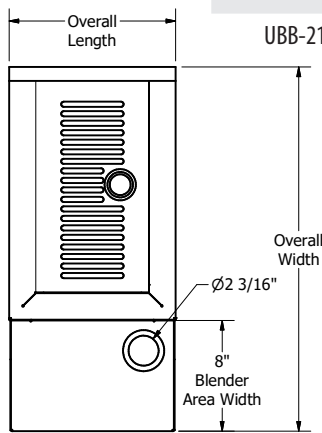
### Features:

- Drainboard with Add-On Blender Station Shelf
- Adjustable High Impact Corrosion Resistant Feet
- Pedestal Base

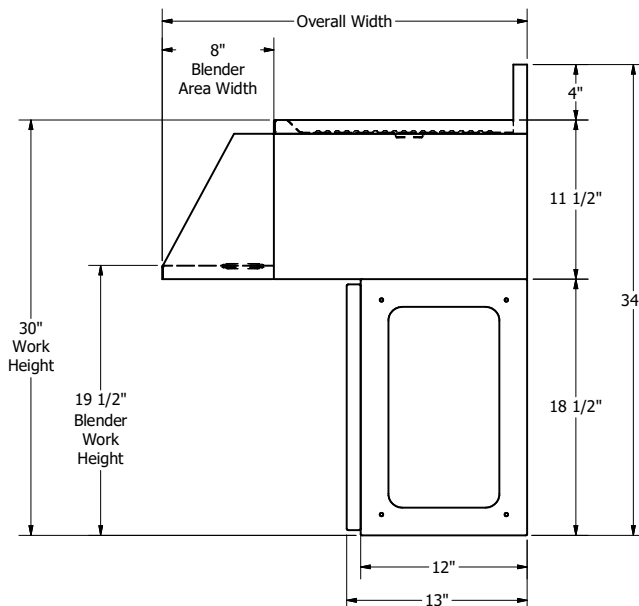
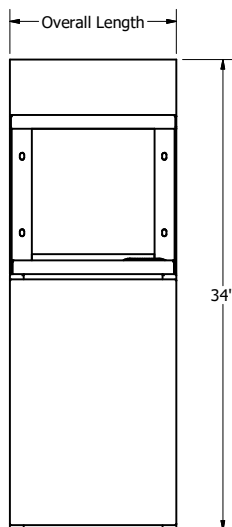
### Material:

- T-304 18 ga. Stainless Steel

| Part Number   | Width | Depth   |
|---------------|-------|---------|
| UBB-18-BDMX12 | 12"   | 18"     |
| UBB-21-BDMX12 | 12"   | 21 1/4" |
| UBB-18-BDMX18 | 18"   | 18"     |
| UBB-21-BDMX18 | 18"   | 21 1/4" |



Overall Width-1/4" = Blender Area Length



PRODUCT DATA SHEET

BK RESOURCES

