



# Double Pass Through Shelves

## Stainless Steel Shelving



Use your smart phone to scan the above QR code to visit our website:  
[www.bk-resources.com](http://www.bk-resources.com)



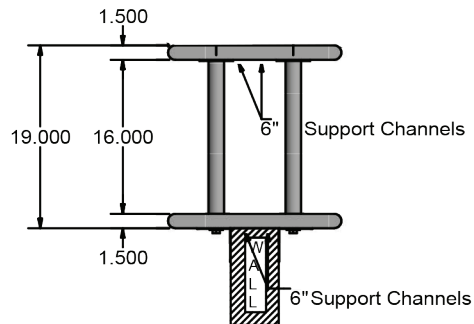
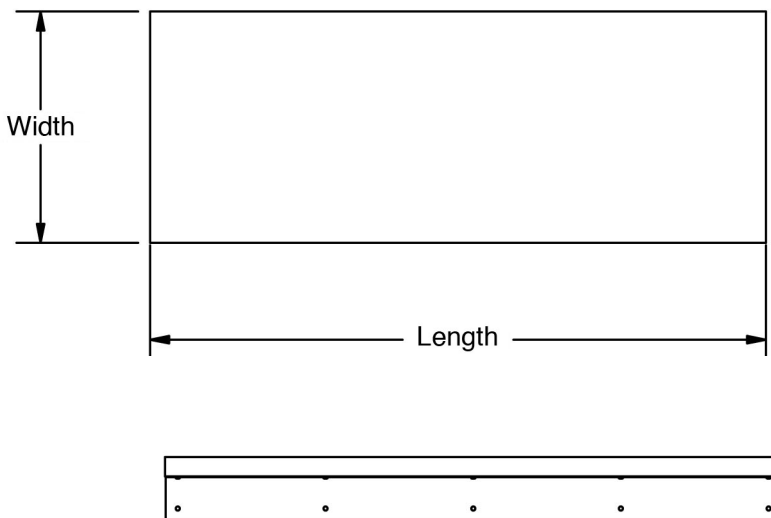
### Features:

- Creates an easy access from kitchen to server area
- Ready to install with wall mounting brackets and hardware

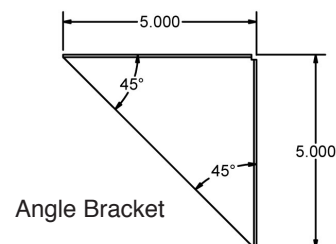
### Material:

- T-304 16 ga. Stainless Steel Top

Part Number	Overall Size: (l x w)	Maximum Wall Thickness	Included Brackets	Product Weight (lbs)
PTS-1824-2	24" x 18"	5"	2 L-Brackets	
PTS-1836-2	36" x 18"	5"	2 L-Brackets	
PTS-1848-2	48" x 18"	5"	2 L-Brackets	90.00
PTS-1860-2	60" x 18"	5"	2 L-Brackets	110.00
PTS-1872-2	72" x 18"	5"	2 L-Brackets	130.00
PTS-1896-2	96" x 18"	5"	2 L-Brackets	170.00
PTS-18108-2	108" x 18"	5"	4 Angle Brackets	
PTS-18120-2	120" x 18"	5"	4 Angle Brackets	
PTS-2424-2	24" x 24"	8"	4 Angle Brackets	
PTS-2436-2	36" x 24"	8"	4 Angle Brackets	
PTS-2448-2	48" x 24"	8"	4 Angle Brackets	95.00
PTS-2460-2	60" x 24"	8"	4 Angle Brackets	115.00
PTS-2472-2	72" x 24"	8"	6 Angle Brackets	140.00
PTS-2496-2	96" x 24"	8"	6 Angle Brackets	
PTS-24108-2	108" x 24"	8"	6 Angle Brackets	
PTS-24120-2	120" x 24"	8"	6 Angle Brackets	



MAXIMUM WALL THICKNESS - 5"



L-Bracket

PRODUCT DATA SHEET

BK RESOURCES

