



Clean Dish Tables

Dish Tables



Use your smart phone to scan the above QR code to visit our website:
www.bk-resources.com

Certifications:



Features:

- 1 5/8" Rolled Edge
- 10" Backsplash
- Front to Back End Bracing
- 30 3/8" O.A. Front to Back

Options:

- S/S Slant Rack Shelf
- Upgraded Bullet Feet

Material:

S Series: S/S w/ Stainless Steel Legs & Bracing

- T-304 18 ga. Stainless Steel Top
- Stainless Steel Legs & Bracing
- Adjustable S/S Over Plastic Bullet Feet

G Series: S/S w/ Galvanized Legs & Bracing

- T-304 18 ga. Stainless Steel Top
- Galvanized Legs & Bracing
- Adjustable High Impact Corrosion Resistant Feet



S Series

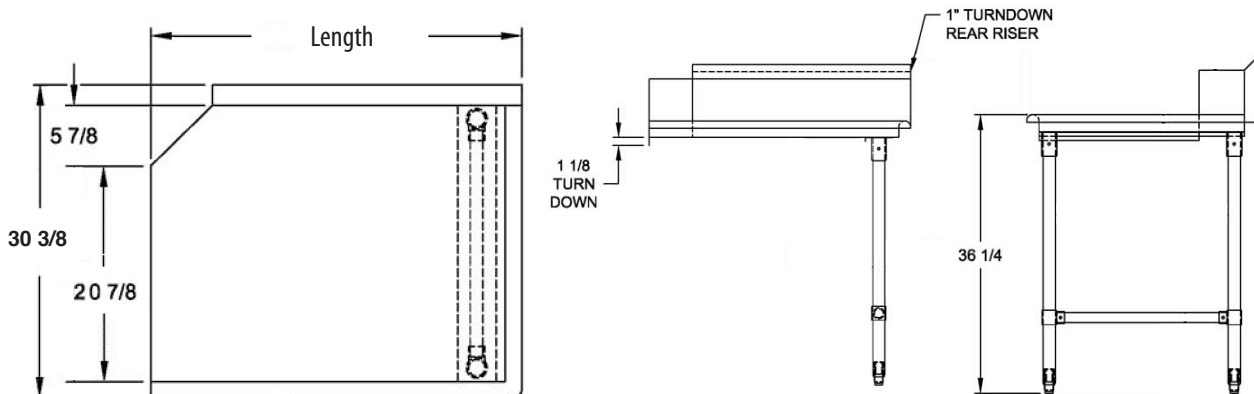
S/S w/ S/S Legs & Bracing

Length	T-304 S/S 30 3/8" Width	Product Weight (lbs)
26"	BKCDT-26-R-SS	40.50
	BKCDT-26-L-SS	40.50
36"	BKCDT-36-R-SS	48.50
	BKCDT-36-L-SS	48.00
48"	BKCDT-48-R-SS	57.00
	BKCDT-48-L-SS	58.00
60"	BKCDT-60-R-SS	68.00
	BKCDT-60-L-SS	68.00
72"	BKCDT-72-R-SS	78.00
	BKCDT-72-L-SS	78.00

G Series

S/S w/ Galv. Legs & Bracing

Length	T-304 S/S 30 3/8" Width	Product Weight (lbs)	Table Side
26"	BKCDT-26-R	33.50	Right
	BKCDT-26-L	33.50	Left
36"	BKCDT-36-R	41.50	Right
	BKCDT-36-L	41.00	Left
48"	BKCDT-48-R	50.00	Right
	BKCDT-48-L	51.00	Left
60"	BKCDT-60-R	61.00	Right
	BKCDT-60-L	61.00	Left
72"	BKCDT-72-R	71.00	Right
	BKCDT-72-L	71.00	Left



PRODUCT DATA SHEET

BK RESOURCES

