

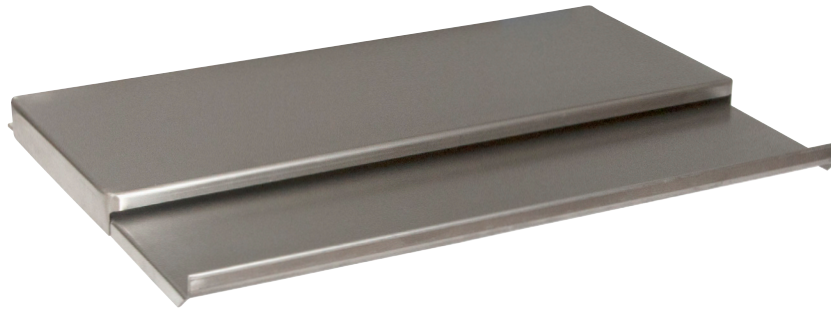


Ice Bin Lid

Stainless Steel Underbar Sinks



Use your smart phone to scan the above QR code to visit our website:
www.bk-resources.com



Features:

- Designed to Fit BKIB Insulated S/S Ice Bins and Cold Plate ONLY

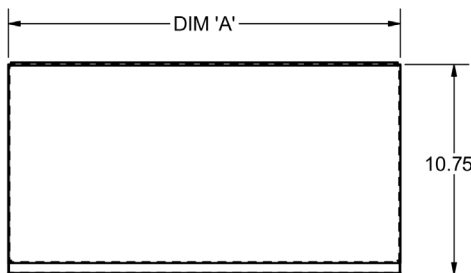
Material:

- T-304 18 ga. Stainless Steel

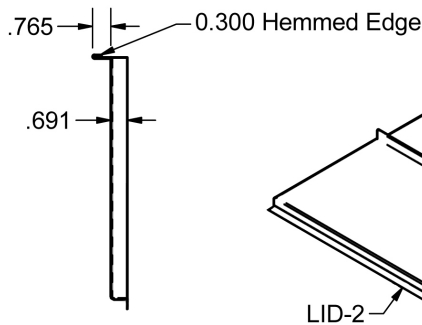
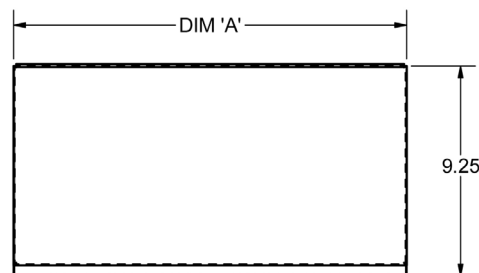
Ice Bin Length	Part Number	"Lid 1" Dim. A	"Lid 2" Dim. A	Product Weight (lbs)
24"	BKIB-L-2421	20 ⁷ / ₈ "	21 ¹ / ₈ "	7.00
30"	BKIB-L-3021	25 ⁵ / ₈ "	25 ⁷ / ₈ "	9.00
36"	BKIB-L-3621	31 ⁵ / ₈ "	31 ⁷ / ₈ "	10.50
48"	BKIB-L-4821	43 ⁵ / ₈ "	43 ⁷ / ₈ "	14.50

Ice Bin Length	Part Number	"Lid 1" Dim. A	"Lid 2" Dim. A	Product Weight (lbs)
24"	BKIB-L-2418	20 ⁷ / ₈ "	21 ¹ / ₈ "	6.50
30"	BKIB-L-3018	25 ⁵ / ₈ "	25 ⁷ / ₈ "	7.50
36"	BKIB-L-3618	31 ⁵ / ₈ "	31 ⁷ / ₈ "	9.50
48"	BKIB-L-4818	43 ⁵ / ₈ "	43 ⁷ / ₈ "	13.00

Standard 21" Depth



Slim-Line 18" Depth



PRODUCT DATA SHEET

BK RESOURCES

