



Corner Cabinet Base Work Tables With Drop-In Sink & Hinged Doors/Locks

EASYMOD™ Creations

Features:

- Corner design allows for a custom look
- 1 5/8" x 6" Straight S/S Leg
- Legs Adjust 1" in Height
- Truck Line Only

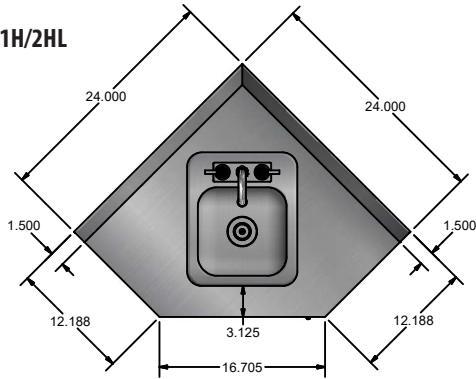
Material:

- T-304 14 ga. Stainless Steel Top
- T-304 18 ga. Stainless Steel Body
- Stainless Steel Legs & Feet
- Choose between hinged doors, or hinged doors & lock

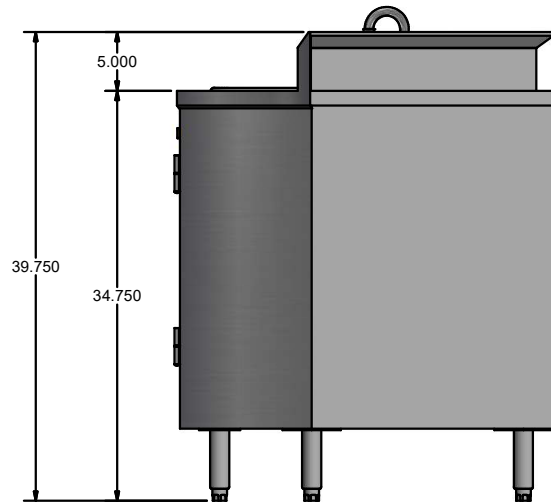
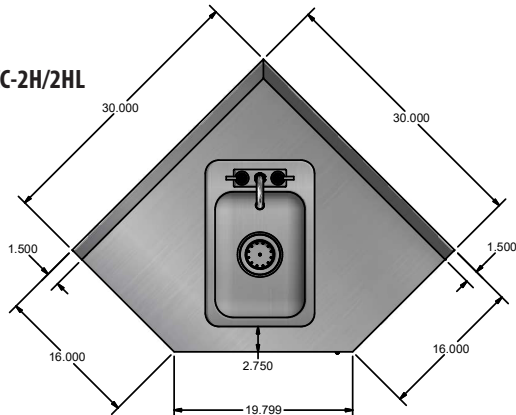


Size	Hinged Doors	Product Weight (lbs)	Hinged Doors & Lock	Product Weight (lbs)	Included Drop-In Sink	Product Weight (lbs)
24" x 24"	MOD-CC-1H	97.00	MOD-CC-1HL	98.00	DDI-0909524-P-G	7.50
30" x 30"	MOD-CC-2H		MOD-CC-2HL		BK-DIS-1014-10-P-G	13.00

MOD-CC-1H/2HL



MOD-CC-2H/2HL



PRODUCT DATA SHEET

BK RESOURCES

